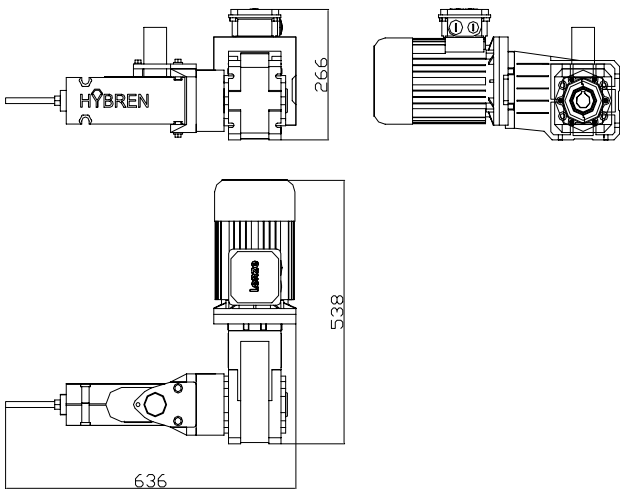


# Hybren Oil Expeller Type H30



## OIL EXPELLER:

- **RAWMATERIAL:** Rapeseed, linseed, hemp, mustard, sesame, sunflower.
- **CAPACITY:** 25-30 kg/hour (rapeseed)
- **YIELD:** 18-37 % (depending on seed moisture and-condition)
- **MOISTURE 7 % :** 30-37 % OIL (before sedimentation)
- **PRODUCTS:**
  - Coldpressed vegetable oil, impurities approx. 5 % (rapeseed, depending on seedcondition).
  - Pellets, 6-6,5 mm
- **SEDIMENTATION TIME:** 5 days at 20°C (rapeseed)
- **WEIGHT:** Approx. 60 KG
- **POWER SUPPLY:** 3 X 400 VAC, 50 Hz  
ALTERNATIVELY 1 X 230 VAC, 50 HZ (Inverter)  
**POWERCONSUMTION:** Approx. 100 W/l oil



## Delivery includes:

- Motor protection with manual switch ,
- EU plug, 3x400 V 16 A
- seed valve

## Can be fitted with:

- Hybren Yield booster for H30.
- Frequency inverter

## Limitations in use:

- No impurities larger than  $\varnothing$  4x10 mm.
- No metallic impurities.
- Limited amount of fine particles, "dust"
- No seedtype not mentioned above, unless confirmed by Hybren.